

6

5

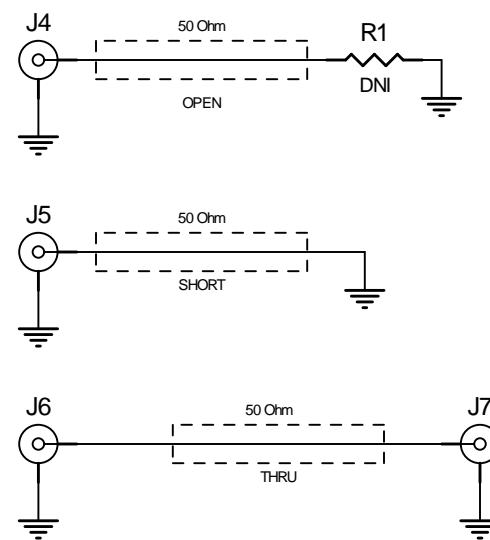
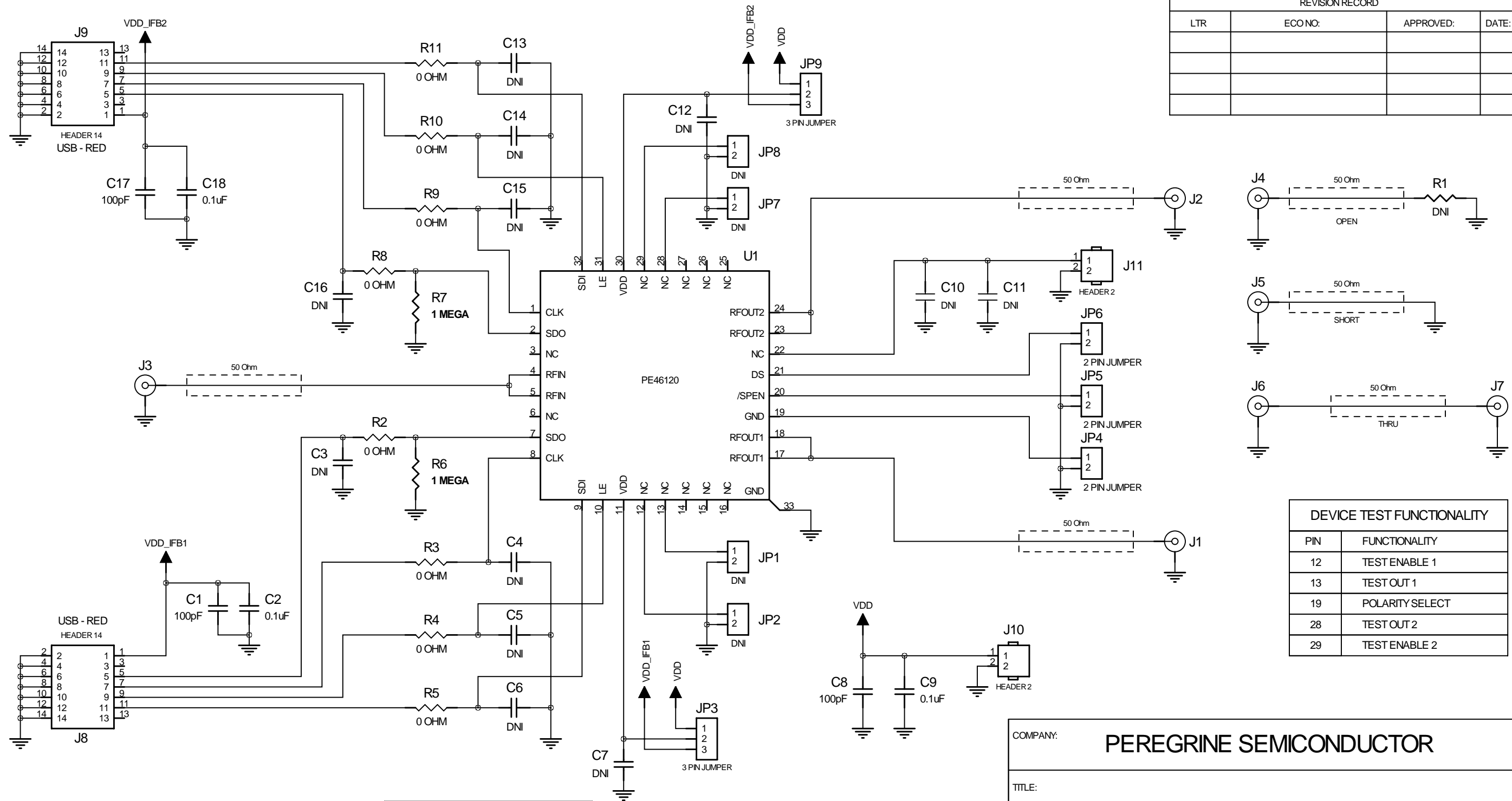
4

3

2

1

REVISION RECORD			
LTR	ECO NO:	APPROVED:	DATE:



DEVICE TEST FUNCTIONALITY	
PIN	FUNCTIONALITY
12	TEST ENABLE 1
13	TEST OUT 1
19	POLARITY SELECT
28	TEST OUT 2
29	TEST ENABLE 2

INSTALL LOGIC JUMPERS ON	
REF DES	PINS
JP3	2-3
JP4	1-2
JP5	1-2
JP6	1-2
JP9	2-3

NOTES:
 1. CAUTION:
 CONTAINS PARTS AND ASSEMBLIES SUSCEPTIBLE
 TO DAMAGE BY ELECTROSTATIC DISCHARGE (ESD)

DRAWN: R. PROAL	DATED: 12-04-13
CHECKED: J. FLYNN	DATED: 12-04-13
QUALITY CONTROL:	DATED:
RELEASED:	DATED:

COMPANY: PEREGRINE SEMICONDUCTOR			
TITLE: SCHEMATIC, PE46120 EVK			
CODE: 5BMR7	SIZE: B	DRAWING NO: DOC-54665	REV: 02
SCALE:		SHEET: 1 OF 1	

D

D

C

C

B

B

A

A

Item	Qty	Reference	Description	Value	Manufacturer	Manufacturer Part No.	Distributor	Distributor Part No.	Notes
1	7	J1-7	CONN SMA JACK 50 OHM EDGE MNT		Emerson Johnson	142-0701-801	Digi-Key	J502-ND	
2	10	C3-7 C12-16	CAP 0402 DNI	DNI					DNI
3	2	C10-11	CAP, 0603, DNI	DNI					DNI
4	3	C2 C9 C18	CAP CER 0.1UF 50V 10% X7R 0603	0.1uF	AVX Corp	06035C104KAT2A	Digi-Key	478-5052-1-ND	
5	3	C1 C8 C17	CAP CER 100PF 50V 5% NP0 0603	100pF	AVX Corp	06035A101JAT2A	Digi-Key	478-1175-1-ND	
6	2	J10-11	CONN HEADER W/ FRIC LCK 2POS .100 VERT	HEADER 2	Molex Inc	22232021	Digi-Key	WM4200-ND	
7	2	J8-9	CONN HEADER .100 DUAL STR 72POS	HEADER 14	Sullins Connector Solutions	PZC36DABN	Digi-Key	S2021-36-ND	CUT TO FIT 2X7
8	2	JP3 JP9	CONN HEADER .100 SINGL STR 36POS	3 PIN JUMPER	Sullins Connector Solutions	PZC36SAAN	Digi-Key	S1011-36-ND	CUT TO FIT 1X3
9	1	U1	IC, PE46120		Peregrine Semiconductor	PE46120			
10	8	R2-5 R8-11	RES 0.0 OHM 1/16W JUMP 0402 SMD	0 OHM	Vishay Dale	CRCW04020000Z0ED	Digi-Key	541-0.0JTR-ND	
11	2	R6-7	RES 1.0M OHM 1/16W 5% 0402 SMD	1M	Vishay Dale	CRCW04021M00JNED	Digi-Key	541-1.0MJCT-ND	
12	1	R1	RES 0402 DNI	DNI					DNI
13	3	JP4-6	CONN HEADER .100 SINGL STR 36POS	2 PIN JUMPER	Sullins Connector Solutions	PZC36SAAN	Digi-Key	S1011-36-ND	CUT TO FIT 1X2
14	4	JP1-2 JP7-8	CONN HEADER .100 SINGL STR 36POS DNI	DNI					DNI
15	5		CONN JUMPER SHORTING .100" GOLD		Sullins Connector Solutions	SPC02SXIN-RC	Digi-Key	S9343-ND	INSTALL PER JUMPER TABLE
16	1		PCB, PE46120 EVALUATION		Peregrine Semiconductor	PRT-55151			