

6

5

4

3

2

1

D

D

C

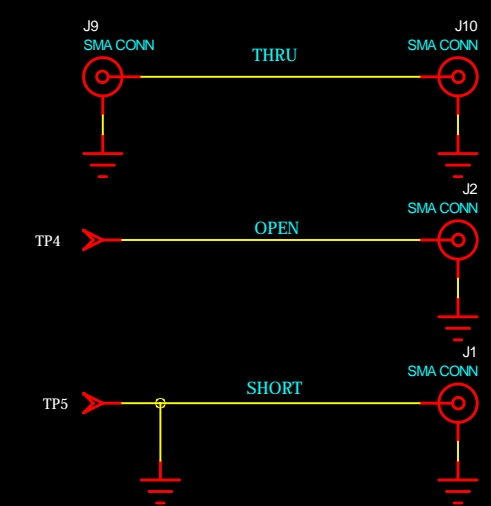
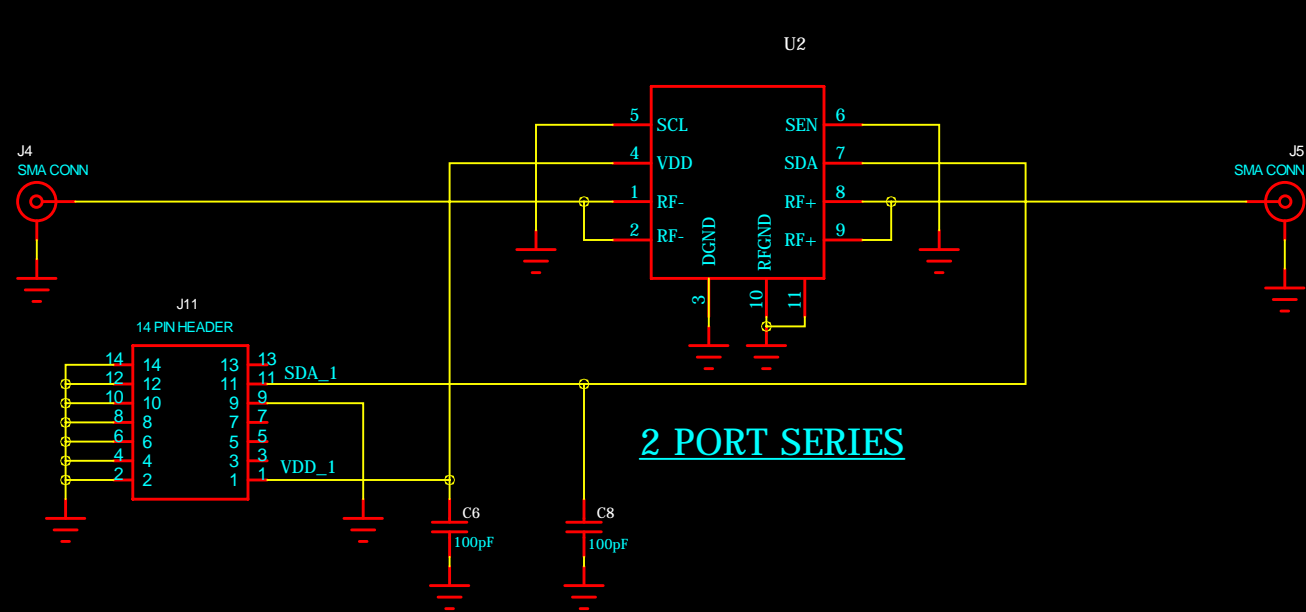
C

B

B

A

A



NOTES:

1. USE 101-0738-01 PCB PART NUMBER.

COMPANY: PEREGRINE SEMICONDUCTOR

TITLE: SCHEMATIC, DTC EVALUATION BOARD

DRAWN: S. Johnson	DATED: 8-15-12
CHECKED: Tero Ranta	DATED: 8-15-12
QUALITY CONTROL:	DATED:
RELEASED:	DATED:

CODE:	SIZE: <b>B</b>	DRAWING NO: <b>102-0872</b>	REV: <b>01</b>
SCALE:			SHEET: 1 of 1

