

PE24110

Document Category: Product Specification

3.3 VIN, 12A, Two-stage Buck Regulator for Low Output Voltage Applications

General Description

The PE24110 is a compact, low-profile, and ultra-high efficiency step-down DC-DC converter solution capable of delivering 12A output current from an input voltage range from 3.0V to 3.6V. The output voltage is selected with external feedback resistors and can be adjusted between 0.35V and 0.7V.

Based on pSemi's advanced two-stage architecture, the device consists of a two-phase interleaved charge pump followed by an interleaved buck regulator stage. This power system greatly reduces the dependency on inductance for high efficiency solutions in small-footprint and height-constrained applications.

Features

- Proprietary architecture enabling industry-leading efficiency with ultra-low profile and footprint
- 89% peak efficiency
- Wide input voltage range from 3.0V to 3.6V that supports running off a nominal 3.3V bus supply
- Output voltage regulation accuracy better than $\pm 1\%$ for all line and load variations
- Output voltage set by external feedback resistors
- Output can be adjusted by external AVS DAC
- Parallel up to four devices

Typical Applications

- Low-profile point-of-load (POL) regulators
- Optical modules
- Core supplies
- ASICs
- FPGA

Efficiency

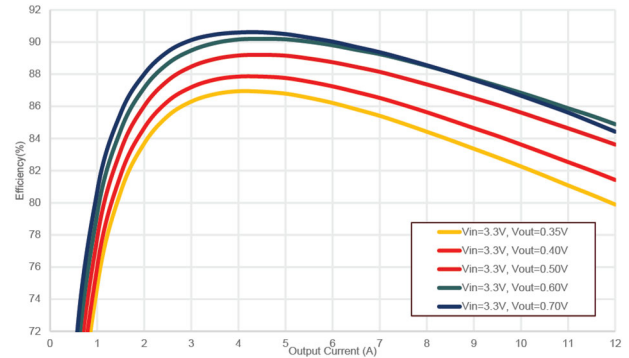


Figure 1. Efficiency Plot of Single Device

Simplified Application

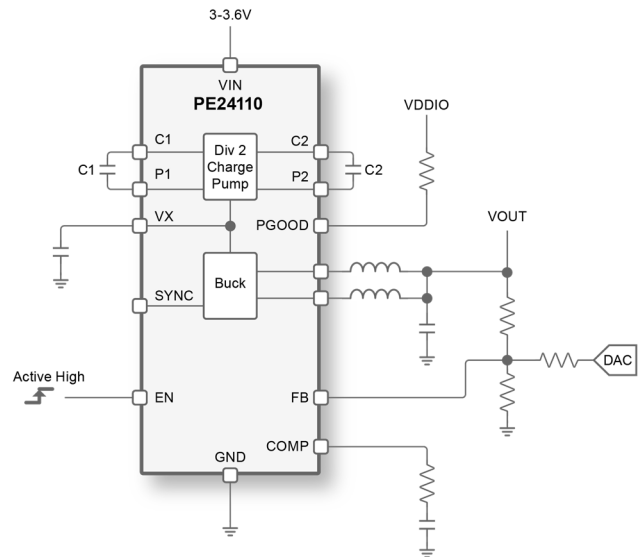


Figure 2. Typical Applications Circuit

PE24110 3.3 VIN, 12A Two-stage Buck Regulator

Application Schematic

A schematic for a single device is shown in Figure 3, and Table 1 lists the components required for a single device operation.

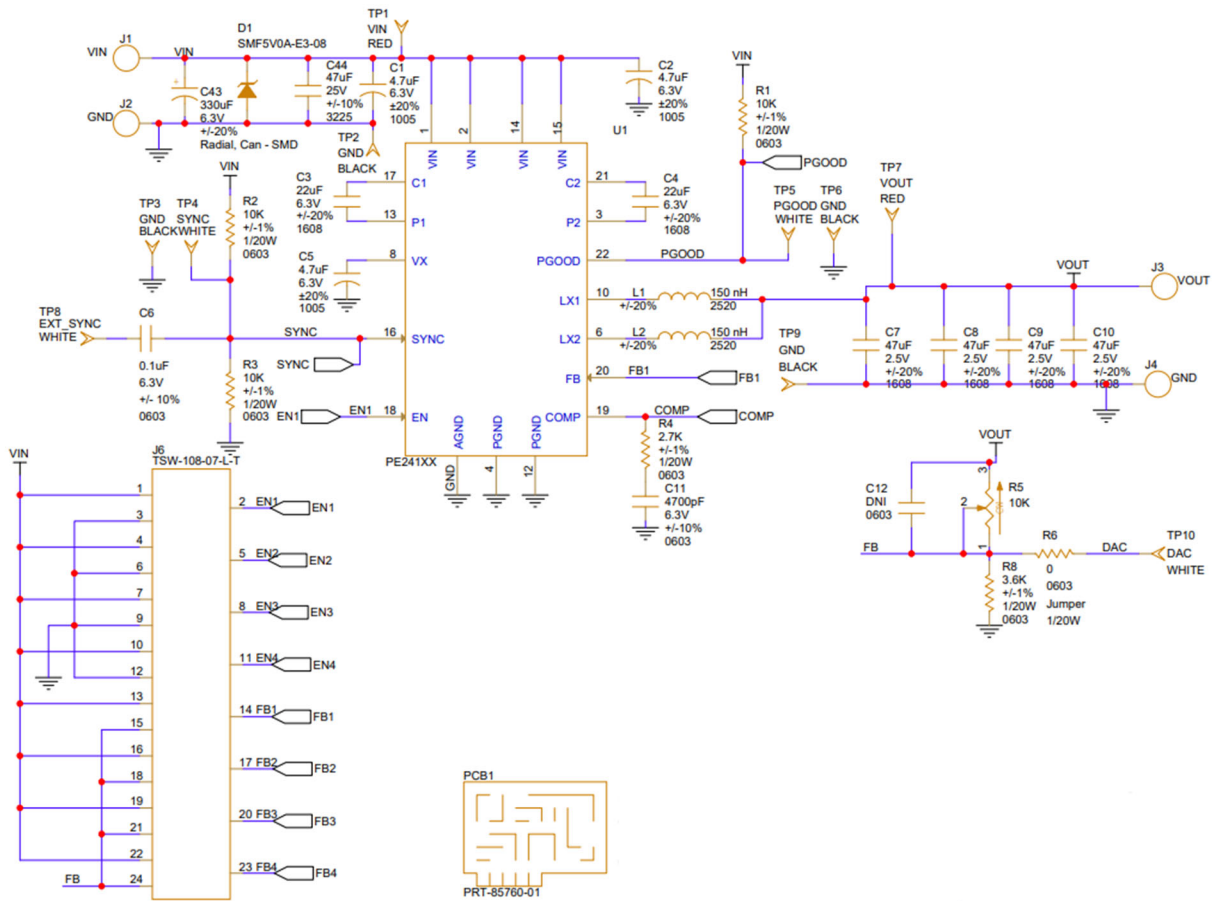


Figure 3. Application Schematic

PE24110
3.3 VIN, 12A Two-stage Buck Regulator



Application Circuit Part List

Table 1 lists recommended part numbers.

Table 1. Recommended Parts

Qty.	Ref. Number	Value	Description	Mfg.	Mfg. Part Number
3	C1,C2,C5	4.7 μ F	CAP, SMD, CER, 4.7 μ F, 6.3V, \pm 20%, X6S, 0402 (1005 Metric)	Murata	GRM155C80J475MEAAD
2	C3,C4	22 μ F	CAP, SMD, CER, 22 μ F, 6.3V, \pm 20%, X6S, 0603 (1608 Metric)	Murata	GRM188C80J226ME15D
1	C6	0.1 μ F	CAP, SMD, CER, 0.1 μ F, 6.3V, \pm 10%, X6S, 0201 (0603 Metric)	Murata	GRM033C80J104KE15D
4	C7,C8,C9,C10	47 μ F	CAP, SMD, CER, 47 μ F, 2.5V, \pm 20%, X7T, 0603 (1608 Metric)	Murata	GRM188D70E476ME01D
1	C11	4700 pF	CAP, SMD, CER, 4700 pF, 6.3V, \pm 10%, X7R, 0201 (0603 metric)	Murata	GRM033R70J472KA01D
1	C12	DNI	DNI		
1	C43	330 μ F	CAP, SMD, ALU, 330 μ F, 6.3V, \pm 20%, -, 0.248" Dia (6.30mm)	Nichicon	UCL0J331MCL1GS
1	C44	47 μ F	CAP, SMD, CER, 47 μ F, 25V, \pm 10%, X7R, 1210 (3225 Metric)	Murata	GRM32ER70J476KE20L
1	D1		19V (Typ) Clamp 20A (8/20 μ s) Ipp Tvs Diode Surface Mount SOD-323	Bourns Inc.	CDSOD323-T03
2	L1,L2	150 nH	IND, SMD, Fixed Inductors, TFM-ALMA, 150 nH, 7.3A, 11 mOhm Max, 1008 (2520 Metric)	TDK	TFM252012ALMAR15MTAA
3	R1,R2,R3	10K	RES, SMD, Thick Film, 10K, \pm 1%, 1/20W, 0201 (0603 Metric)	Panasonic	ERJ-1GNF1002C
1	R4	2.7 kOhms	2.7 kOhms \pm 1% 0.05W, 1/20W Chip Resistor 0201 (0603 Metric) Moisture Resistant Thick Film	Yageo	RC0201FR-072K7L
1	R5	10K	RES, SMD, Potentiometers, 10K, \pm 10%, 0.25W, 1/4W, 0.250" x 0.170" Face x 0.295" H (6.35 mm x 4.32 mm x 7.49 mm)	TT Electronics/BI	84WR10KLFTR
1	R6	0	RES, SMD, Thick Film, 0, Jumper, 1/20W, 0201 (0603 Metric)	Panasonic	ERJ-1GN0R00C
1	R8	3.6K	RES, SMD, Thick Film, 3.6K, \pm 1%, 1/20W, 0201 (0603 metric)	Panasonic	ERJ-1GNF3601C
1	U1		IC, SMD, IC, QFN	Murata	PE24110

PE24110 3.3 VIN, 12A Two-stage Buck Regulator

Evaluation Board

Figure 4 shows the PE24110 device evaluation board.

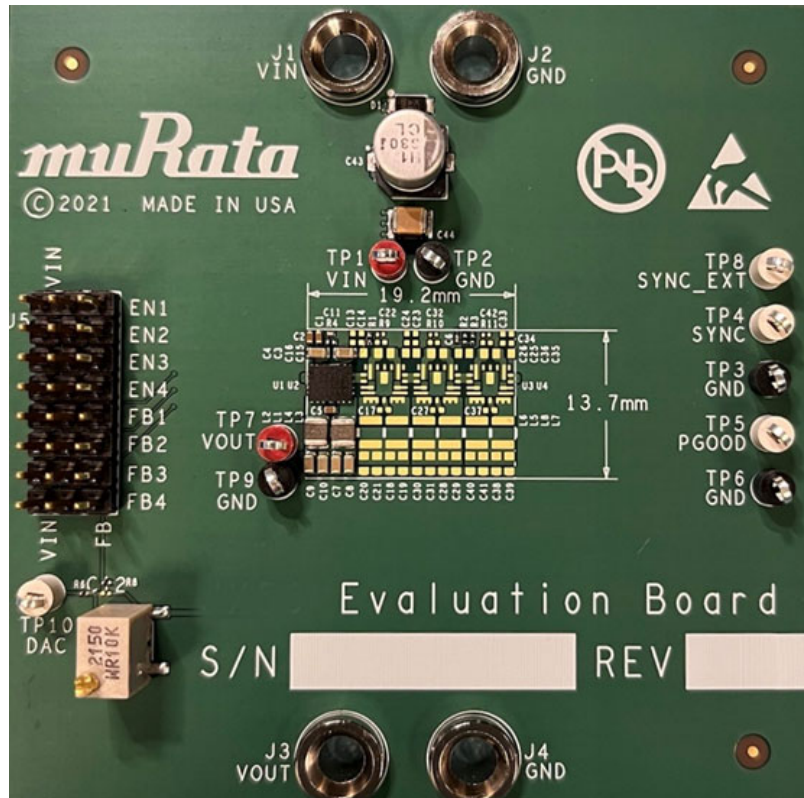


Figure 4. Device Evaluation Board

Order Codes

Table 2 lists the available ordering codes for the PE24110 as well as available shipping methods.

Table 2. Order Codes

Order Codes	Description	Packaging	Shipping Method
PE24110A-X	12A buck regulator	QFN on tape and reel	500 Units / T&R
PE24110A-Z	12A buck regulator	QFN on tape and reel	3000 Units / T&R

Document Categories

Advance Information

The product is in a formative or design stage. The datasheet contains design target specifications for product development. Specifications and features may change in any manner without notice.

Preliminary Specification

The datasheet contains preliminary data. Additional data may be added at a later date. pSemi reserves the right to change specifications at any time without notice in order to supply the best possible product.

Product Specification

The datasheet contains final data. In the event pSemi decides to change the specifications, pSemi will notify customers of the intended changes by issuing a Customer Notification Form (CNF).

Product Brief

This document contains a shortened version of the datasheet. For the full datasheet, contact sales@psemi.com.

Sales Contact

For additional information, contact Sales at sales@psemi.com.

Disclaimers

The information in this document is believed to be reliable. However, pSemi assumes no liability for the use of this information. Use shall be entirely at the user's own risk. No patent rights or licenses to any circuits described in this document are implied or granted to any third party. pSemi's products are not designed or intended for use in devices or systems intended for surgical implant, or in other applications intended to support or sustain life, or in any application in which the failure of the pSemi product could create a situation in which personal injury or death might occur. pSemi assumes no liability for damages, including consequential or incidental damages, arising out of the use of its products in such applications.

Patent Statement

pSemi products are protected under one or more of the following U.S. patents: patents.psemi.com

Copyright and Trademark

©2024–2025, pSemi Corporation. All rights reserved. The Peregrine Semiconductor name, Peregrine Semiconductor logo and UltraCMOS are registered trademarks and the pSemi name, pSemi logo, HaRP and DuNE are trademarks of pSemi Corporation in the U.S. and other countries.