

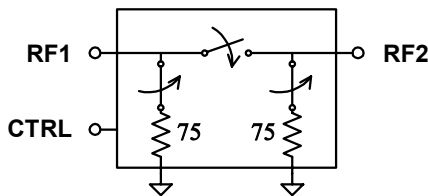
# PE4248

## Product Description

The PE4248 is a high-isolation MOSFET Switch designed for CATV applications, covering a broad frequency range from DC up to 1.3 GHz. This single-supply SPST switch offers a single-pin CMOS control interface with industry leading CTB performance. It also provides low insertion loss, high isolation and extremely low bias requirements while operating on a single 3-volt supply. In a typical CATV application, the PE4248 provides for a cost effective and manufacturable solution vs. mechanical relays.

The PE4248 is manufactured in Peregrine's patented Ultra Thin Silicon (UTSi®) CMOS process, offering the performance of GaAs with the economy and integration of conventional CMOS.

Figure 1. Functional Schematic Diagram



## SPST CATV MOSFET Switch DC – 1300MHz

### Features

- 75-ohm switch
- Integrated 0.25 watt terminations
- CTB performance of 90dBc
- High isolation: 90 dB at 5 MHz, 63 dB at 1 GHz
- Low insertion loss: 0.5 dB at 5 MHz, 0.75 dB at 1 GHz
- High input IP2: >80 dBm
- CMOS/TTL single-pin control
- Single +3-volt supply operation
- Extremely low bias: 33  $\mu$ A @ 3V

Figure 2. Pin Configuration

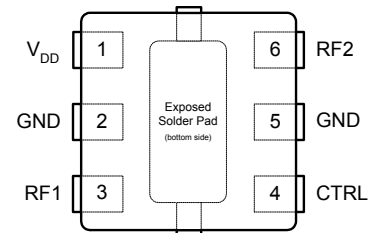


Table 1. Electrical Specifications @ +25 °C ( $Z_s = Z_L = 75 \Omega$ )

Parameter	Condition	Minimum	Typical	Maximum	Units
Operating Frequency <sup>1</sup>		DC		1300	MHz
Operating Power	On / Off			30/24	dBm
Insertion Loss	DC – 50 MHz 1000 MHz		0.5 0.75	0.65 1.0	dB
Isolation	DC – 50 MHz 1000 MHz	85 60	90 63		dB
Return Loss	5 - 1000 MHz	17	19		dB
Input 1 dB Compression <sup>2,4</sup>	1000 MHz	30	33		dBm
CTB / CSO	77 & 110 channels; PO = 44 dBmV		-90		dBc
Input IP2 <sup>2</sup>	1000 MHz	80			dBm
Input IP3 <sup>2</sup>	1000 MHz	50			dBm
Video Feedthrough <sup>3</sup>				15	mV <sub>pp</sub>
Switching Time			2		$\mu$ s

Notes: 1. Device linearity will begin to degrade below 1 MHz.

2. Measured in a 50  $\Omega$  system.

3. Measured with a 1 ns risetime, 0/3 V pulse and 500 MHz bandwidth.

4. Note Absolute Maximum ratings in Table 3.

**Table 2. Pin Descriptions**

Pin No.	Pin Name	Description
1	V <sub>DD</sub>	Nominal 3 V supply connection.
2	GND	Ground connection. <sup>2</sup>
3	RF1	RF port. <sup>1</sup>
4	CTRL	CMOS or TTL logic level: High = RF1 to RF2 signal path Low = RF1 isolated from RF2
5	GND	Ground connection. <sup>3</sup>
6	RF2	RF port. <sup>1</sup>

Notes: 1. Both RF pins must be held at 0 V<sub>DC</sub> or require external DC blocking capacitors.  
 2. The exposed pad must be soldered to the ground plane for proper switch performance.

**Table 3. Absolute Maximum Ratings**

Symbol	Parameter/Condition	Min	Max	Unit
V <sub>DD</sub>	Power supply voltage	-0.3	4.0	V
V <sub>I</sub>	Voltage on CTRL input	-0.3	5.5	V
T <sub>ST</sub>	Storage temperature	-65	150	°C
T <sub>OP</sub>	Operating temperature	-40	85	°C
P <sub>IN</sub>	Input power (50Ω), CTRL=1/CTRL=0		33/24	dBm
V <sub>ESD</sub>	ESD voltage (Human Body Model)		500	V

**Table 4. DC Electrical Specifications @ 25 °C**

Parameter	Min	Typ	Max	Unit
V <sub>DD</sub> Power Supply	2.7	3.0	3.3	V
I <sub>DD</sub> Power Supply Current (V <sub>DD</sub> = 3V, V <sub>CTRL</sub> = 3V)		33	40	μA
Control Voltage High	0.7xV <sub>DD</sub>		5	V
Control Voltage Low	0		0.3xV <sub>DD</sub>	V

## Electrostatic Discharge (ESD) Precautions

When handling this UTSi device, observe the same precautions that you would use with other ESD-sensitive devices. Although this device contains circuitry to protect it from damage due to ESD, precautions should be taken to avoid exceeding the rating specified.

## Latch-Up Avoidance

Unlike conventional CMOS devices, UTSi CMOS devices are immune to latch-up.

## Device Description

The PE4248 high isolation SPST CATV Switch is designed to support CATV applications such as premise disconnect of a CATV signal path. This function is typically performed by bulky and expensive mechanical relays. The high isolation characteristics, high compression point, and integrated 75-ohm terminations make the PE4248 an ideal, cost effective and manufacturable product of choice.

**Table 5. Truth Table**

Control Voltage (CTRL)	Signal Path (RF1 to RF2)
High <sup>1</sup>	ON
Low	OFF

Notes: 1. CTRL accepts both CMOS and TTL voltage levels.

The control logic input pin (CTRL) is typically driven by a 3-volt CMOS logic level signal, and has a threshold of 50% of V<sub>DD</sub>. For flexibility to support systems that have 5-volt control logic drivers, the control logic input has been designed to handle a 5-volt logic HIGH signal. (A minimal current will be sourced out of the V<sub>DD</sub> pin when the control logic input voltage level exceeds V<sub>DD</sub>.)

Typical Performance Data @ -40 °C to 85 °C (Unless Otherwise Noted)  
(75-ohm impedance except as indicated)

Figure 3. Insertion Loss – RF1 to RF2

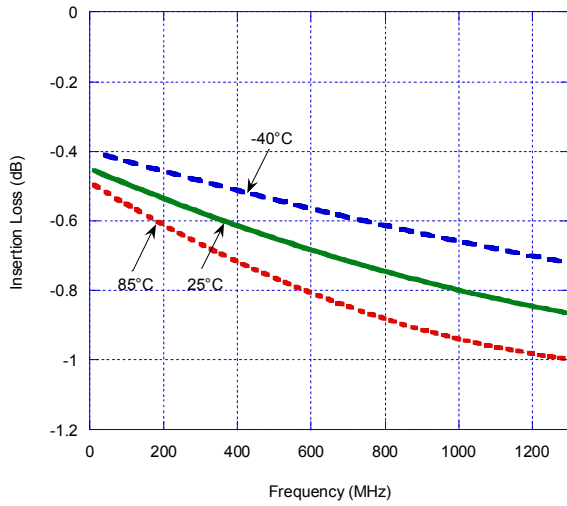


Figure 4. Input 1 dB Compression Point & IIP3  
(50-ohm system impedance)

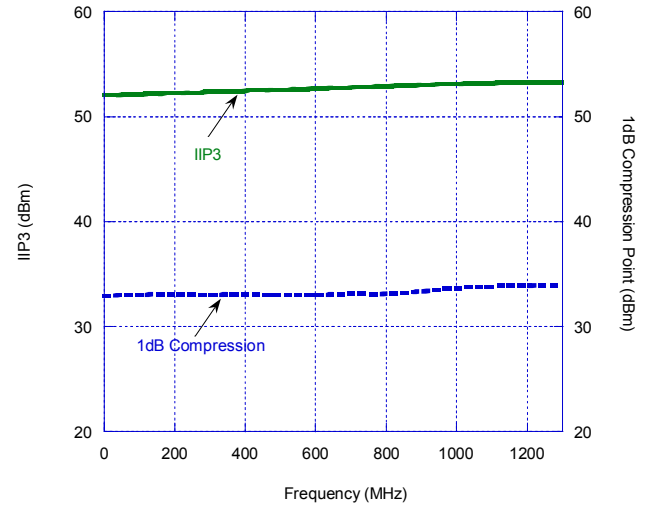
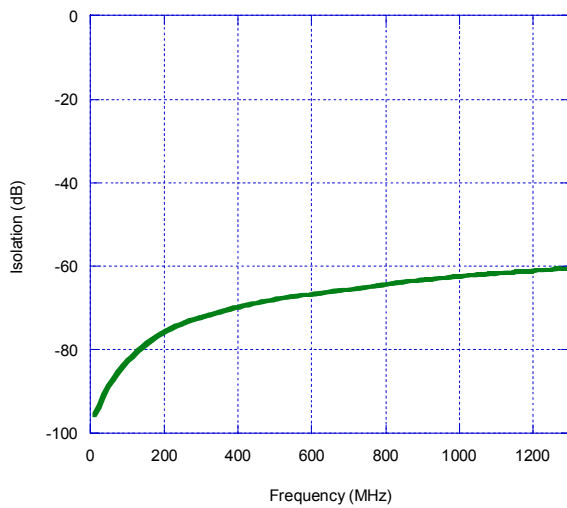
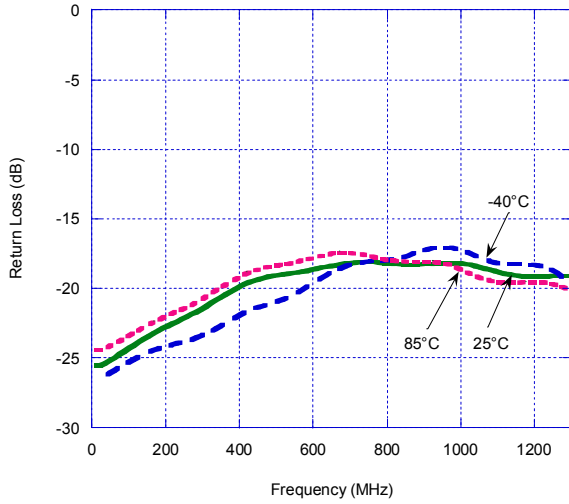


Figure 5. Isolation – RF1 To RF2

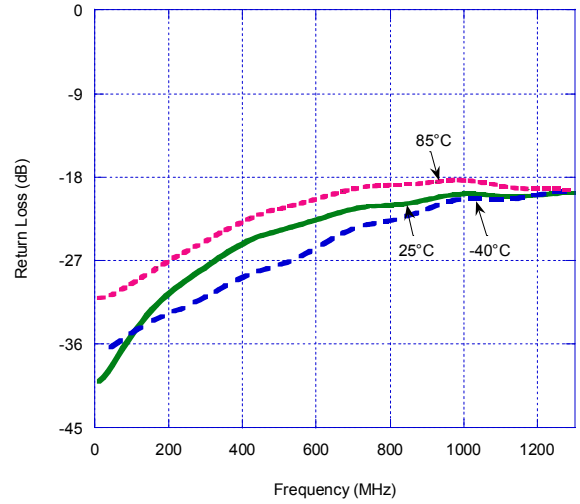


**Typical Performance Data @ -40 °C to 85 °C (Unless Otherwise Noted)**  
**(75-ohm impedance except as indicated)**

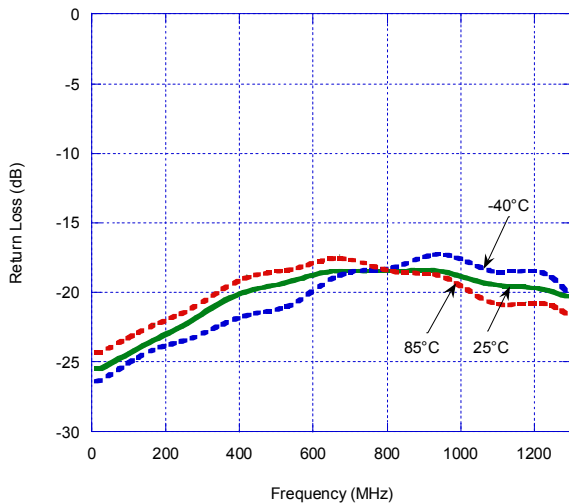
**Figure 6. RF1 Return Loss (Switch = ON)**



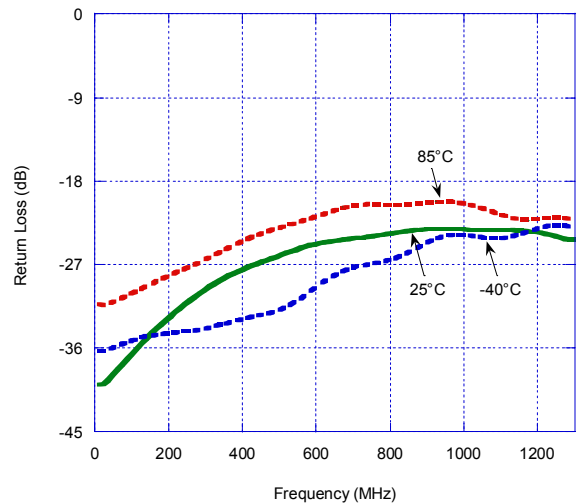
**Figure 7. RF1 Return Loss (Switch = OFF)**



**Figure 8. RF2 Return Loss (Switch = ON)**



**Figure 9. RF2 Return Loss (Switch = OFF)**



## Evaluation Kit Information

### Evaluation Kit

The SPST Switch Evaluation Kit board was designed to ease customer evaluation of the PE4248 SPST switch. The RF1 port is connected through a  $75\Omega$  transmission line to the top left BNC connector, J1. The RF2 port is connected through a  $75\Omega$  transmission line to the BNC connector on the top right side of the board, J2. A through transmission line connects BNC connectors J3 and J4. This transmission line can be used to estimate the loss of the PCB over the environmental conditions being evaluated.

The board is constructed of a two metal layer FR4 material with a total thickness of 0.031". The bottom layer provides ground for the RF transmission lines. The transmission lines were designed using a coplanar waveguide model with trace width of 0.021", trace gaps of 0.030", dielectric thickness of 0.028", metal thickness of 0.0021" and  $\epsilon_r$  of 4.6. Note that the predominate mode for these transmission lines is coplanar waveguide with a ground plane.

J5 provides a means for controlling DC and digital inputs to the device. Starting from the lower left pin, the second pin to the right (J5-3) is connected to the device  $V_{DD}$  input. The fourth pin to the right (J5-7) is connected to the device CTRL input. It is the responsibility of the customer to determine proper supply decoupling for their design application. Removing these components from the evaluation board has not been shown to degrade RF performance.

Figure 10. Evaluation Board Layouts

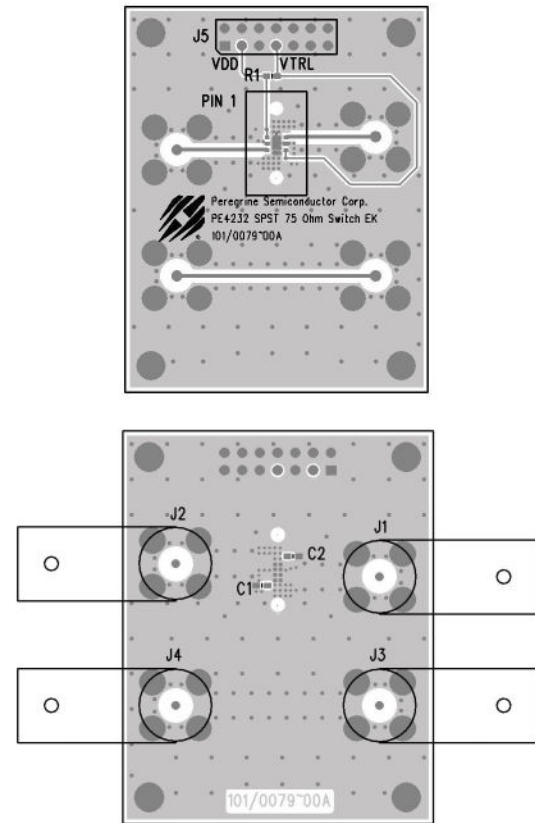
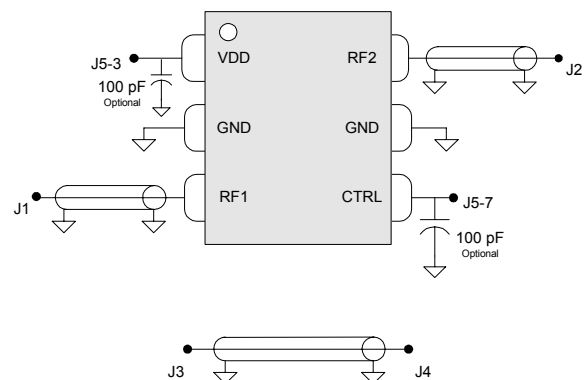
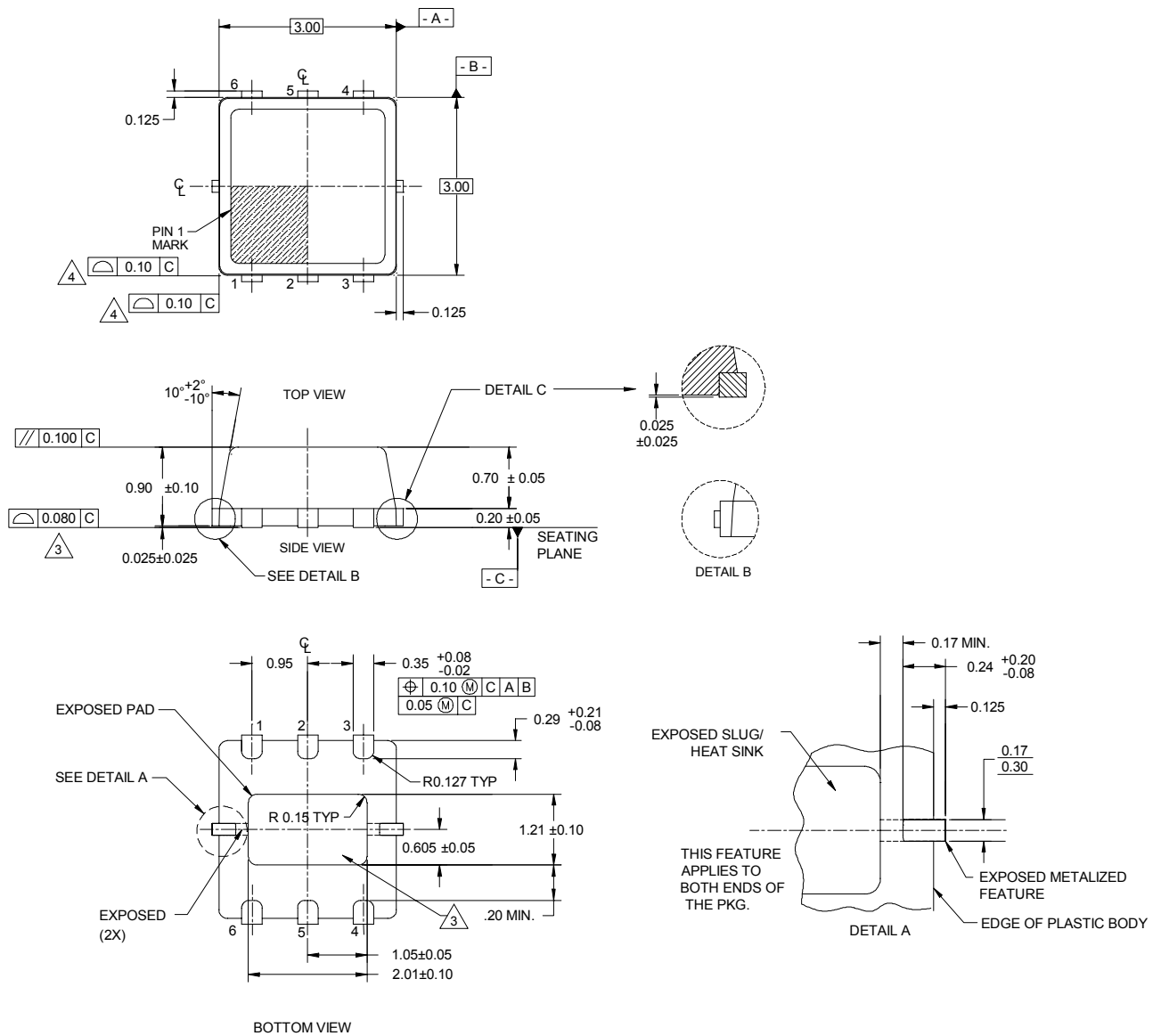


Figure 11. Evaluation Board Schematic



**Figure 12. Package Drawing**

6-lead MLPM



1. DIMENSIONS AND TOLERANCES ARE PER ANSI Y14.5
2. DIMENSIONS ARE IN MILLIMETERS, ANGLES ARE IN DEGREES.
- 3 COPLANARITY APPLIES TO EXPOSED HEAT SLUG AS WELL AS THE TERMINALS.
- 4 PROFILE TOLERANCE APPLIES TO PLASTIC BODY ONLY.

**Table 6. Ordering Information**

Order Code	Part Marking	Description	Package	Shipping Method
4248-01	4248	PE4248-06MLP3x3-12800F	6-lead 3x3mm MLPM	12800 units / Canister
4248-02	4248	PE4248-06MLP3x3-3000C	6-lead 3x3mm MLPM	3000 units / T&R
4248-00	PE4248-EK	PE4248-06MLP3x3-EK	Evaluation Board	1 / Box

## Sales Offices

### *United States*

#### **Peregrine Semiconductor Corp.**

6175 Nancy Ridge Drive  
San Diego, CA 92121  
Tel 1-858-455-0660  
Fax 1-858-455-0770

### *Japan*

#### **Peregrine Semiconductor K.K.**

5A-5, 5F Imperial Tower  
1-1-1 Uchisaiwaicho, Chiyoda-ku  
Tokyo 100-0011 Japan  
Tel: 03-3507-5755  
Fax: 03-3507-5601

### *Europe*

#### **Peregrine Semiconductor Europe**

Bâtiment Maine  
13-15 rue des Quatre Vents  
F- 92380 Garches  
Tel 33-1-47-41-91-73  
Fax 33-1-47-41-91-73

### *Australia*

#### **Peregrine Semiconductor Australia**

8 Herb Elliot Ave.  
Homebush, NSW 2140  
Australia  
Tel: 011-61-2-9763-4111  
Fax: 011-61-2-9746-1501

For a list of representatives in your area, please refer to our Web site at: <http://www.peregrine-semi.com>

## Data Sheet Identification

### ***Advance Information***

The product is in a formative or design stage. The data sheet contains design target specifications for product development. Specifications and features may change in any manner without notice.

The information in this data sheet is believed to be reliable. However, Peregrine assumes no liability for the use of this information. Use shall be entirely at the user's own risk.

No patent rights or licenses to any circuits described in this data sheet are implied or granted to any third party.

### ***Preliminary Specification***

The data sheet contains preliminary data. Additional data may be added at a later date. Peregrine reserves the right to change specifications at any time without notice in order to supply the best possible product.

Peregrine's products are not designed or intended for use in devices or systems intended for surgical implant, or in other applications intended to support or sustain life, or in any application in which the failure of the Peregrine product could create a situation in which personal injury or death might occur. Peregrine assumes no liability for damages, including consequential or incidental damages, arising out of the use of its products in such applications.

### ***Product Specification***

The data sheet contains final data. In the event Peregrine decides to change the specifications, Peregrine will notify customers of the intended changes by issuing a PCN (Product Change Notice).

Peregrine products are protected under one or more of the following U.S. patents: 6,090,648; 6,057,555; 5,973,382; 5,973,363; 5,930,638; 5,920,233; 5,895,957; 5,883,396; 5,864,162; 5,863,823; 5,861,336; 5,663,570; 5,610,790; 5,600,169; 5,596,205; 5,572,040; 5,492,857; 5,416,043. Other patents are pending.

*Peregrine, the Peregrine logotype, Peregrine Semiconductor Corp., and UTSi are registered trademarks of Peregrine Semiconductor Corporation.  
Copyright © 2003 Peregrine Semiconductor Corp. All rights reserved.*